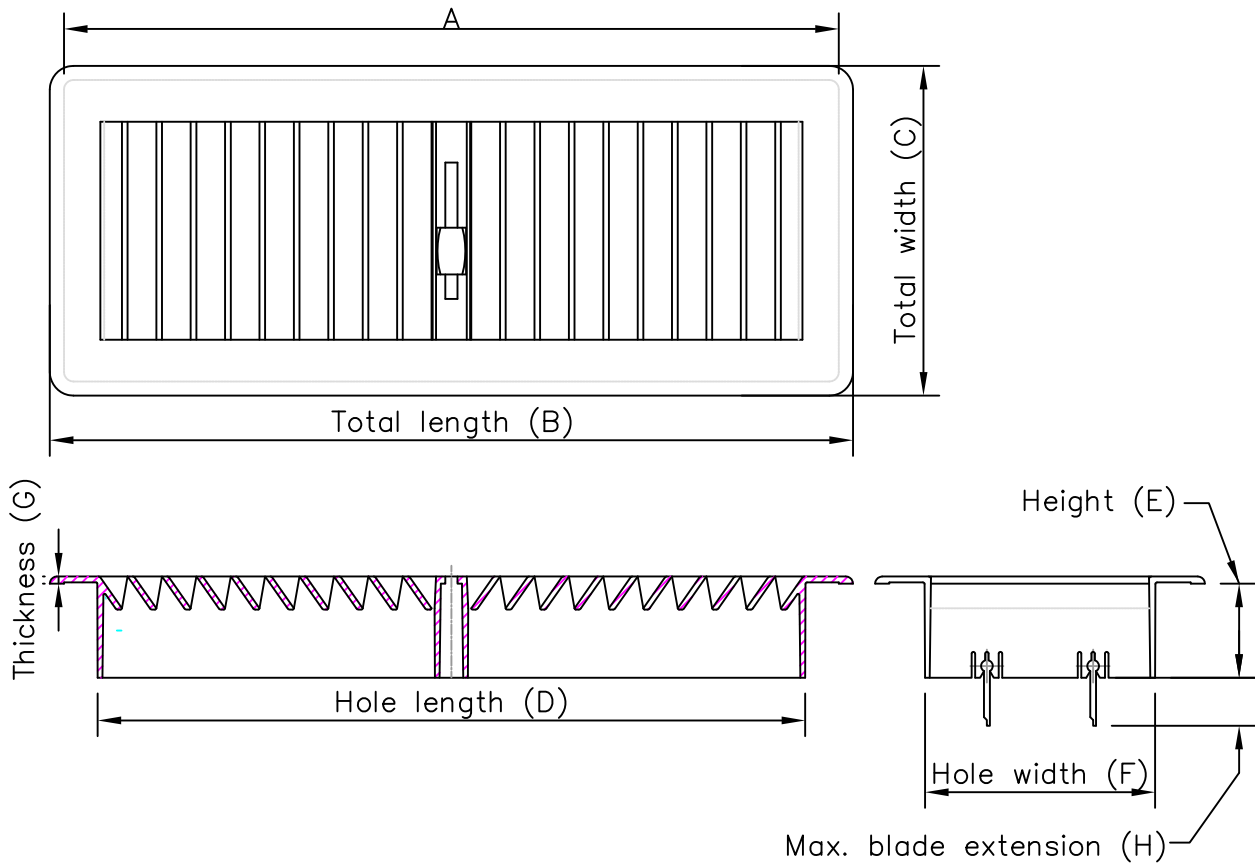


Engineering Data



Model	A	B	C	D	E	F	G	H
300 x 100	328	342	139	300	40	97	3	19
350 x 150	377	389	188	350	41	148	3	19

Dimensions in millimetres

Available colours	
Light Beige	Chocolate
Grey	Mushroom
Pink	Rustic Brown
White	Tan
Green	Dark Beige
Cream	Peach
Slate	Blue
Coffee	Baltic Pine

Description: Floor registers suitable for floor mounted cooling, heating or ventilation applications. Two sizes are available.

Construction: Both models are constructed from polycarbonate polymers. Polycarbonate has one of the highest impact strengths of the polymers, providing protection against impact from furniture, footwear and general wear. Polycarbonate also has a high softening point, making the registers suitable for heating applications. The vents are symmetrical with blades at 45 degrees in opposing directions. An adjustable set of rear blades provides control of airflow, which also doubles as a forward air director. A front mounted knob provides the adjustability. Total shut-off is possible. The external exposed surfaces have an etched finish.

Performance: The floor register directs air in opposing directions at 45 degrees from the vertical. The vents are suitable for both heating and cooling. The relatively small outlet area provides a high exit velocity, ensuring efficient mixing of air. The registers would usually be located close to walls.

Finish: Sixteen colours are available. The surface has an etched face, which lowers light reflections, and ensures an unobtrusive finish.